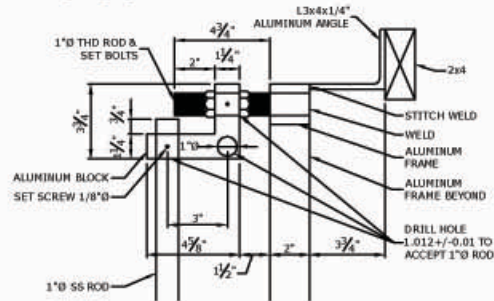


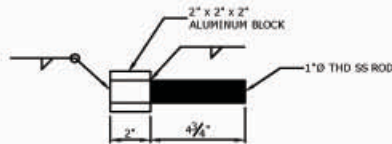
SECTION A-A TOP & BOT. RAIL

3" = 1'-0"



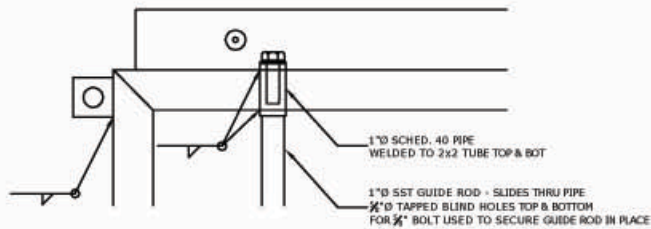
L-BLOCK DETAIL

3" = 1'-0"



DETAIL

3" = 1'-0"



DETAIL

3" = 1'-0"